



**FRONT RUNNER**

**TOYOTA HILUX DOUBLE CAB - PRE 2005**

**ISUZU P190 DOUBLE CAB - PRE 2013**

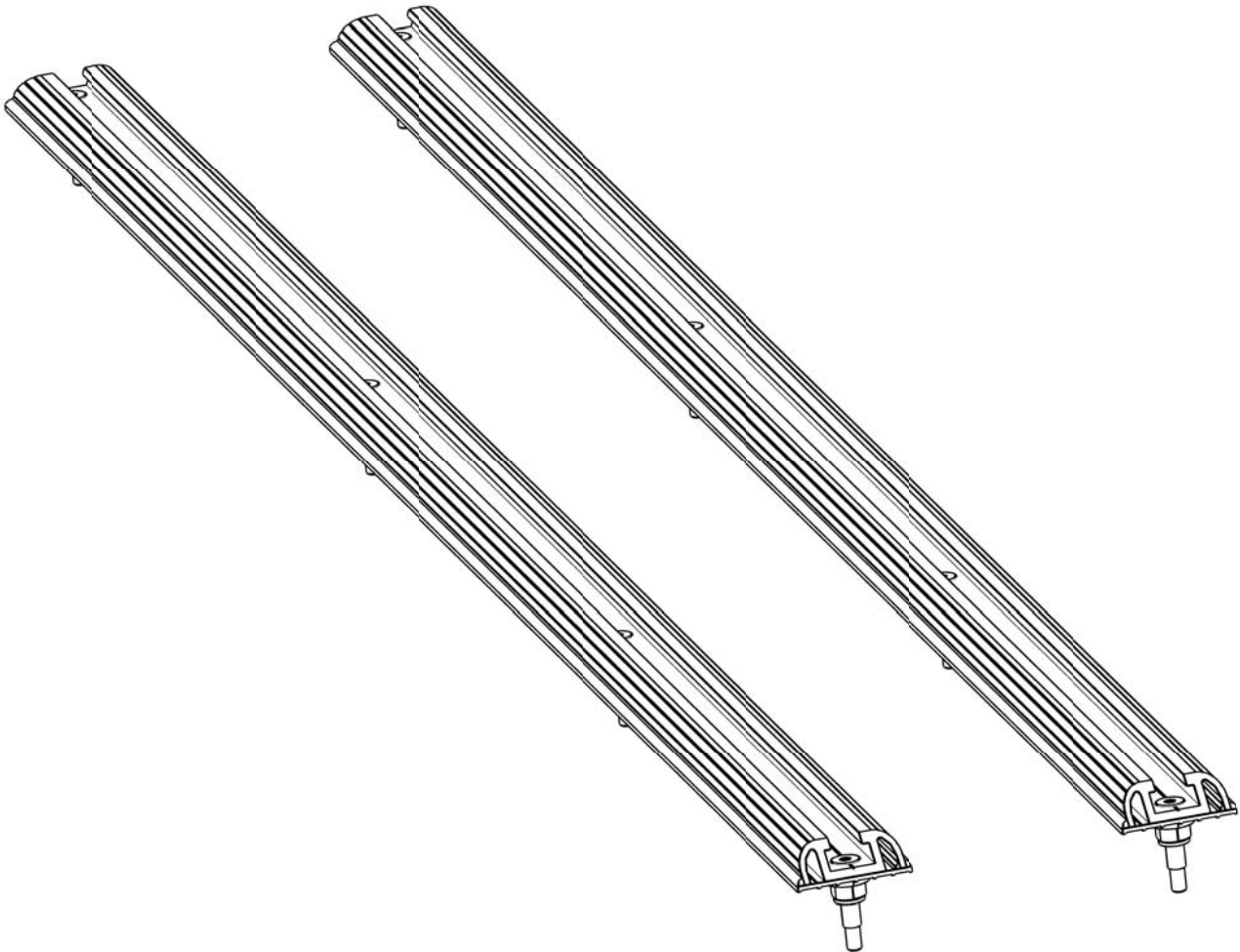
**TRACK - 1280MM**

**ENG**

TRTH002



**INSTALL TIME: 30 mins**



### **IMPORTANT WARNING!**

**IT IS CRITICAL THAT ALL FRONT RUNNER PRODUCTS BE PROPERLY AND SECURELY ASSEMBLED AND ATTACHED TO YOUR VEHICLE. IMPROPER ATTACHMENT COULD RESULT IN AN AUTOMOBILE ACCIDENT, AND COULD CAUSE SERIOUS BODILY INJURY OR DEATH TO YOU OR TO OTHERS. YOU ARE RESPONSIBLE FOR ASSEMBLING AND SECURING ALL FRONT RUNNER PRODUCTS TO YOUR VEHICLE, CHECKING THE ATTACHMENTS PRIOR TO USE, AND PERIODICALLY INSPECTING THE PRODUCTS FOR ADJUSTMENT, WEAR, AND DAMAGE. THEREFORE, YOU MUST READ AND UNDERSTAND ALL OF THE INSTRUCTIONS AND CAUTIONS SUPPLIED WITH YOUR FRONT RUNNER PRODUCT PRIOR TO INSTALLATION OR USE. IF YOU DO NOT UNDERSTAND ALL OF THE INSTRUCTIONS AND CAUTIONS, OR IF YOU HAVE NO MECHANICAL EXPERIENCE AND ARE NOT THOROUGHLY FAMILIAR WITH THE INSTALLATION PROCEDURES, YOU SHOULD HAVE THE PRODUCT INSTALLED BY A PROFESSIONAL INSTALLER OR OTHER QUALIFIED PERSONNEL.**

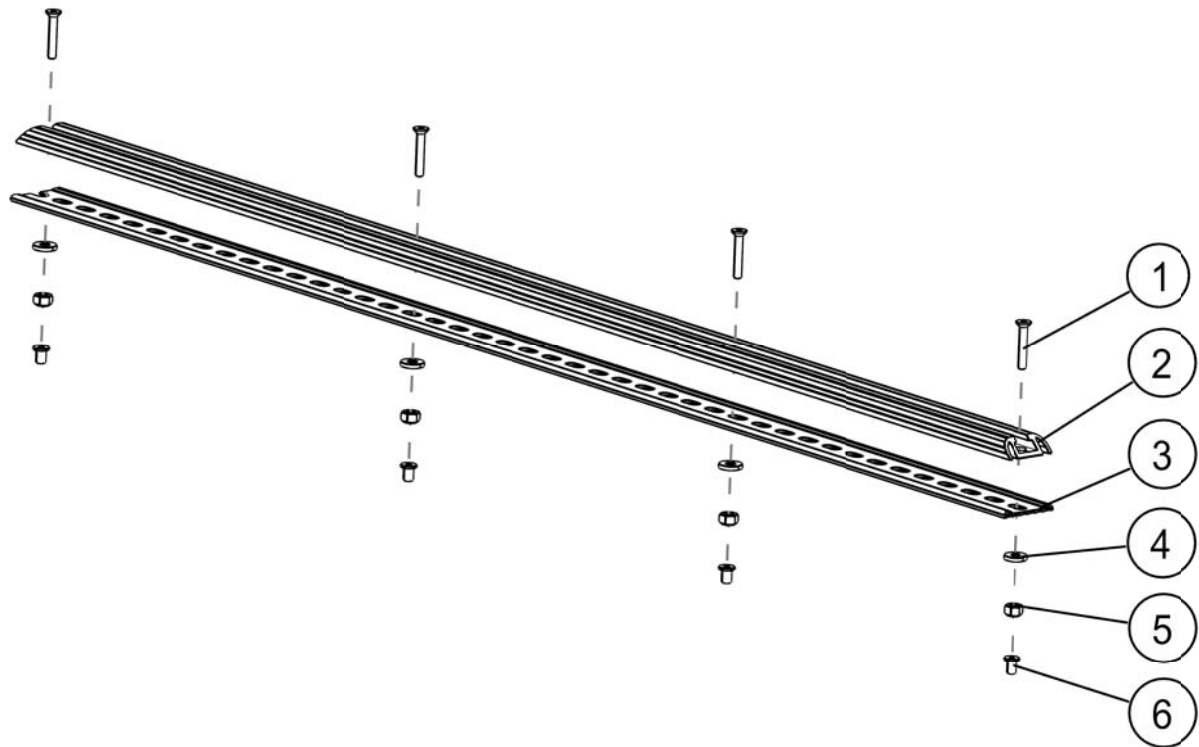
# 1 GET ORGANIZED...

Here is what you are looking at:

Item #	Quantity	Description
1	8	M6 x 40 COUNTERSUNK BOLT
2	2	TRACK
3	2	RUBBER TRACK LINER
4	8	M8 x FLAT WASHER
5	8	M8 NYLOC NUT
6	8	M6 RIVNUT

You will need:

- 4 mm Hex Key
- Drill Machine
- 4 mm & 9 mm Drill Bit
- 19 mm Hole Saw
- Suitable Marking pen
- Rivnut Tool
- Silicone
- Measuring Tape



( A ) Familiarize yourself with the parts and then step away from the work area and read through these instructions from beginning to end. Take a moment as little prep now may save you a lot of time later.

## 2 FIT TRACK

- ( A ) The Tracks (Item 2) ship with the Rubber Track Liner (Item 3) loosely fitted in place. There are two quick steps to prep the Track Liners and Tracks. First, remove the paper to expose the glue. Then carefully center the holes in the Liner with the holes in the Track and press the Liner into place. Using your utility knife trim the Liner at the end of each Track so it doesn't overhang.

- ( B ) Looking at the Track from the side you will notice a curve at one end of the Track. This curve must go towards the front of the vehicle. Place the Tracks onto the vehicles' roof lining them up with the centre of the ditch moulding.

**Toyota Hilux Double Cab - Pre 2005**

Line the rear of the Track up with the split line found in the ditch moulding towards the rear of the vehicles' roof.

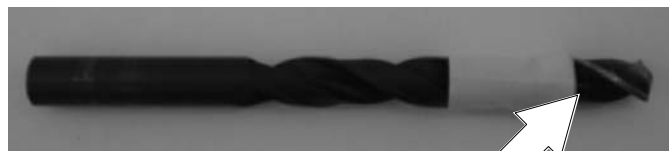
**Isuzu P190 Double Cab - Pre 2013**

Line up the front of the Track 195mm in from the start of the ditch moulding at the front of the vehicle as shown below.



- ( C ) Mark the position of all of the holes in the Track onto the ditch moulding and remove the Tracks from the vehicle.

- ( D ) Before drilling the holes in the roof, you need to do a bit of prep. Take both the 4 mm and 9 mm drill bits. Using a suitable tape, wrap a band of tape around the drill bit to act as a stopper to prevent you from drilling to deep as there are airbags located below where you will be drilling.

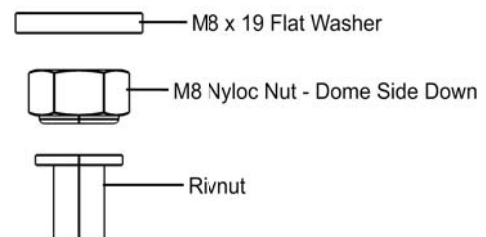


15 mm from tip of drill bit to start of tape for 4 mm Bit &  
10 mm from tip of drill bit to start of tape for 9 mm Bit

## 2 FIT TRACK

- ( E ) Drill a 4 mm pilot hole on each of your markings from Step 2E, making sure to go all the way through the vehicles' ditch moulding and roof.
- ( F ) Using the 19 mm hole saw, carefully drill a 19 mm hole into the ditch moulding on each of your 4 mm pilot holes.
- ( G ) Remove the two ditch mouldings that cover the gutters in the vehicle's roof and place the Tracks onto the vehicle's roof. There is a left and a right hand Track. The curve in the Track goes towards the front and outside of the vehicle.
- ( H ) Using the 9 mm drill bit, drill a 9 mm hole into the vehicle's roof and each of your pilot holes from Step2C. Insert and Crimp a M6 Rivnut (Item 6) into each of the 9 mm holes.

- ( I ) Place a small amount of silicone over and around each of the Rivnuts from Step2H and place a M8 Nyloc Nut and M8 x 19 Flat Washer (Items 4 & 5) on top of the Rivnut as shown.



- ( J ) Place the Tracks back onto the vehicles' roof, lining the holes in the Track up with the Rivnuts, Nyloc Nuts and Flat Washers from Step 2I.

Secure the Tracks to the vehicle using the M6 x 40 Countersunk Bolts (Item 1) supplied.

**Congratulations, you have completed your installation. Take a step back and admire your work. Good Job!**