

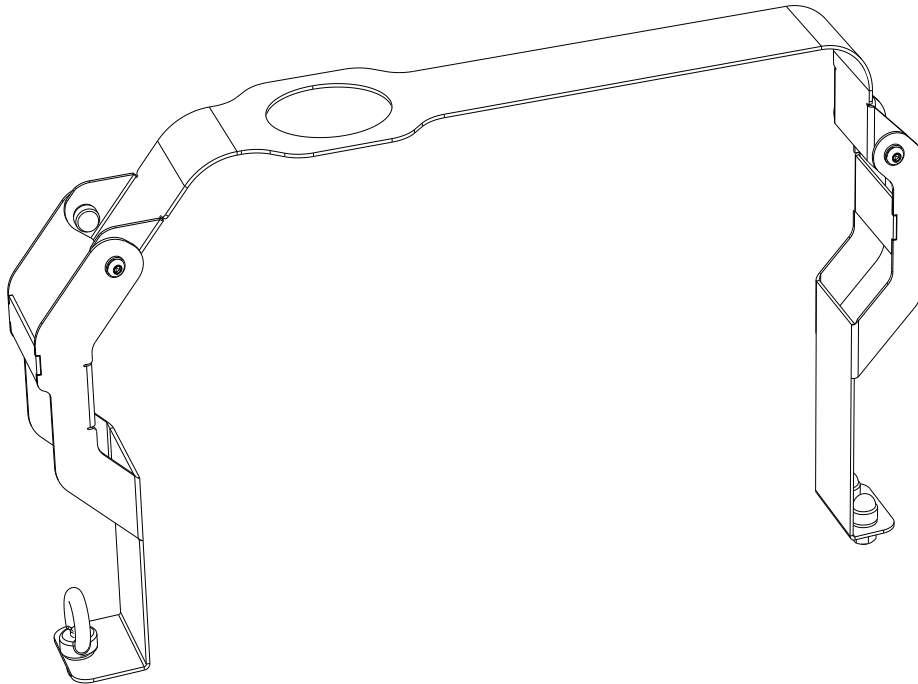


**FRONT RUNNER**  
VEHICLE OUTFITTERS

**WATER TANK STRAP / 45L**

ENG

RRAC037



## READ ME !

Thank you for purchasing a Front Runner Water Tank Strap.

Before you start, take a moment to familiarize yourself with the Fitting Instructions and the components received.

Refer to Page 2 for a list of all the components, quantities and tools required.

## IMPORTANT WARNING!

IT IS CRITICAL THAT ALL FRONT RUNNER PRODUCTS BE PROPERLY AND SECURELY ASSEMBLED AND ATTACHED TO YOUR VEHICLE. IMPROPER ATTACHMENT COULD RESULT IN AN AUTOMOBILE ACCIDENT, AND COULD CAUSE SERIOUS BODILY INJURY OR DEATH. YOU ARE RESPONSIBLE FOR ASSEMBLING AND SECURING ALL FRONT RUNNER PRODUCTS TO YOUR VEHICLE. CHECKING THE ATTACHMENTS PRIOR TO USE, AND PERIODICALLY INSPECTING THE PRODUCTS FOR ADJUSTMENT, WEAR AND DAMAGE. THEREFORE YOU MUST READ AND UNDERSTAND ALL OF THE INSTRUCTIONS AND PRECAUTIONS SUPPLIED WITH YOUR FRONT RUNNER PRODUCT PRIOR TO INSTALLATION OR USE. IF YOU DO NOT UNDERSTAND ALL OF THE INSTRUCTIONS AND CAUTIONS, OR IF YOU HAVE NO MECHANICAL EXPERIENCE AND ARE NOT THOROUGHLY FAMILIAR WITH THE INSTALLATION PROCEDURES, YOU SHOULD HAVE THE PRODUCT INSTALLED BY A PROFESSIONAL INSTALLER OR OTHER QUALIFIED PERSONNEL.

# 1

## GET ORGANIZED

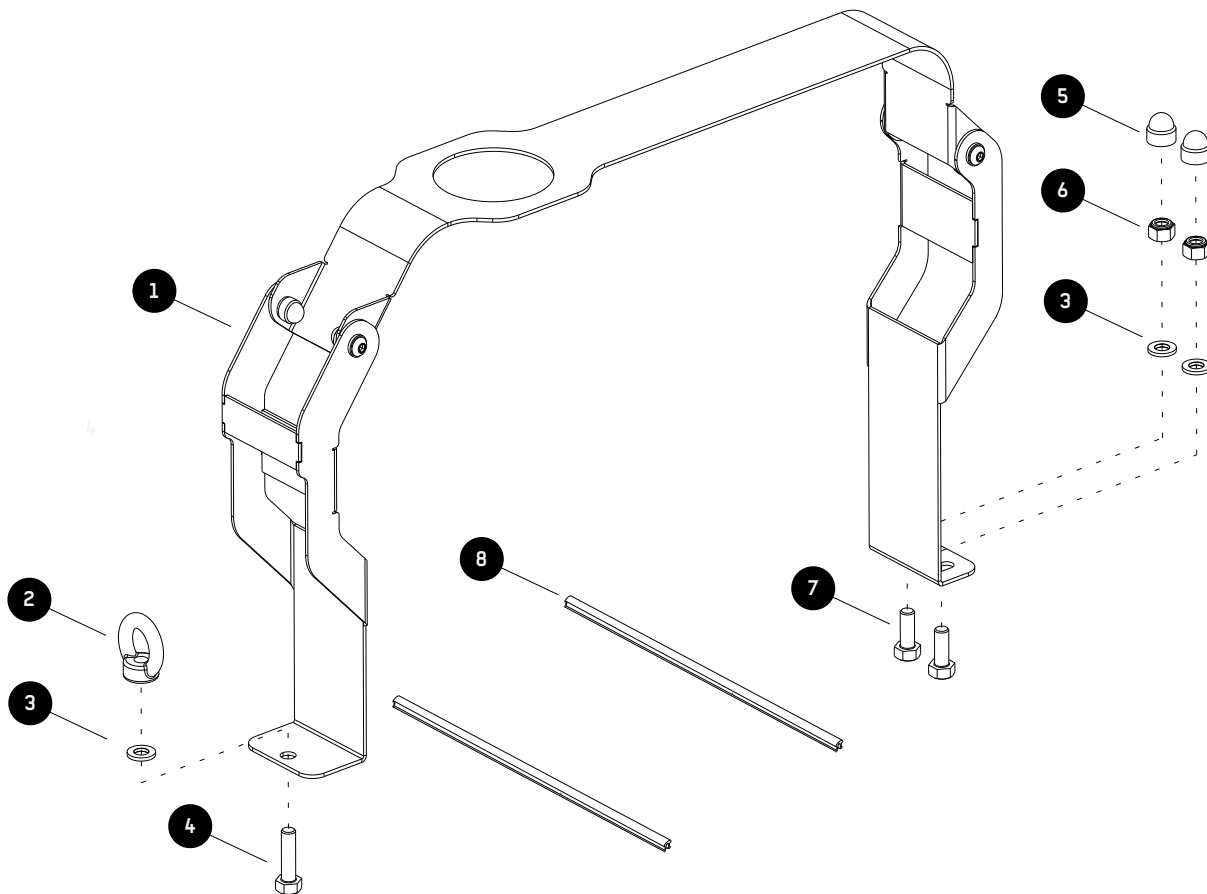
### IN THE BOX

1	1 X	Tank Strap Assembly
2	1 X	M8 Eye Nut
3	3 X	M8 x 16 x 1.6SS Flat Washer
4	1 X	M8 x 30 Hex Bolt
5	2 X	M8 Nut Cap
6	2 X	M8 Nyloc Nut
7	2 X	M8 x 20 Hex Bolt
8	2 X	300mm T-Slot Beading

### TOOLS NEEDED

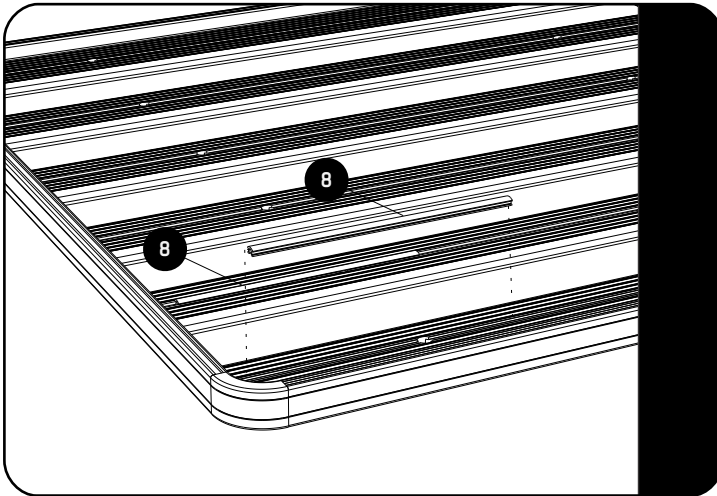


FIGURE 1.1



**2****FIT AND SECURE**

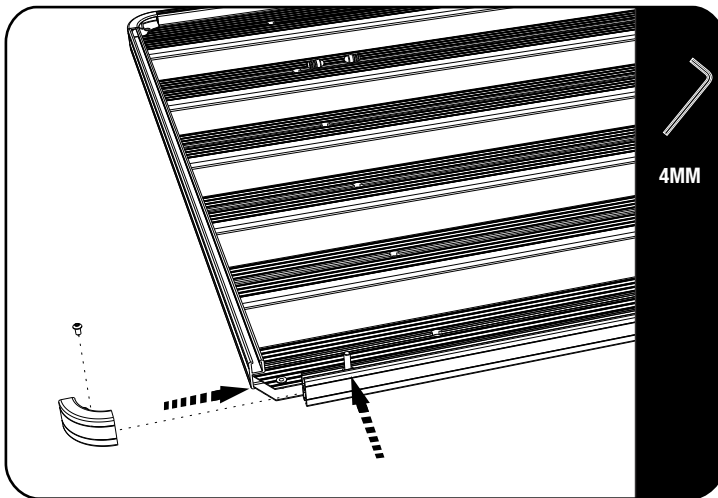
2.1



Choose to mount your 45L Water Tank (not supplied on either the front or back of the Slimline II. The Tank must be positioned using either the front or rear slat.

Insert the two T-Slot Beading (Item 8) into the two rear or front slats as shown where you would like the Tank mounted.

2.2

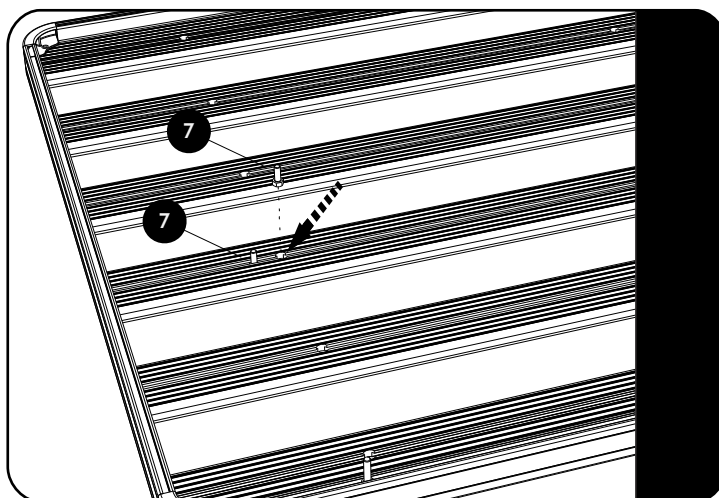


Loosen and remove the Corner of the Rack as shown.

Slide the M8 x 30 Hex Bolt (Item 4) into the Channel as indicated by the arrow. Line the Hex Bolt up with the center of the T-Slot Beading from Step 2.1.

Refit the corner.

2.3

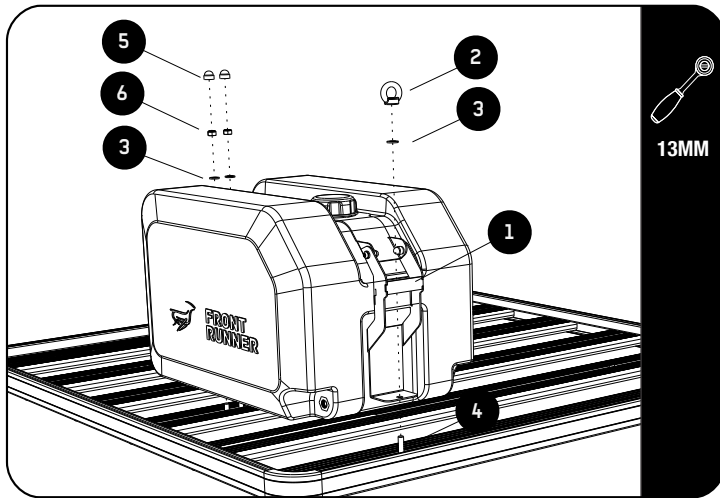


Slide the two M8 x 20 Hex Bolts (Item 7) into the T-Slot on the third Slat from the back of your Rack as shown.

Slide the two Hex Bolts to the center of the T-Slot Beading and space them 20mm apart.

**2****FIT AND SECURE**

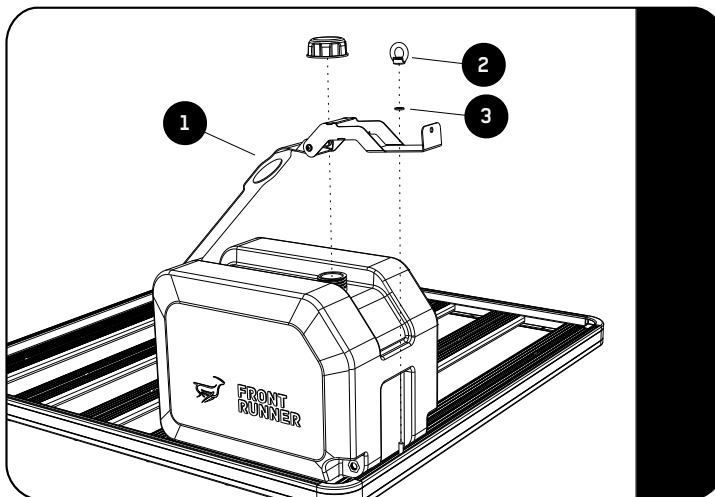
2.4



Place the Water Tank with Tank Strap onto the Rack as shown, lining up the holes in the Tank Strap (Item 1) with the Hex Bolts inserted in Step 2.2 and 2.3. Ensure that the Tank is sitting centered on the T-Slot Beading and secure the Tank Strap to the Rack using the M8 Eye Nut, M8 Flat Washer and M8 Nyloc Nuts (Items 2, 3 & 6) as shown.

Once secured, place the two M8 Nut Caps (Item 5) over the two Nyloc Nuts.

2.5



The Water Tank may be taken off the Rack by removing the Plastic Cap, loosening the M8 Eye-nut and lifting the Tank Strap up and over as shown.

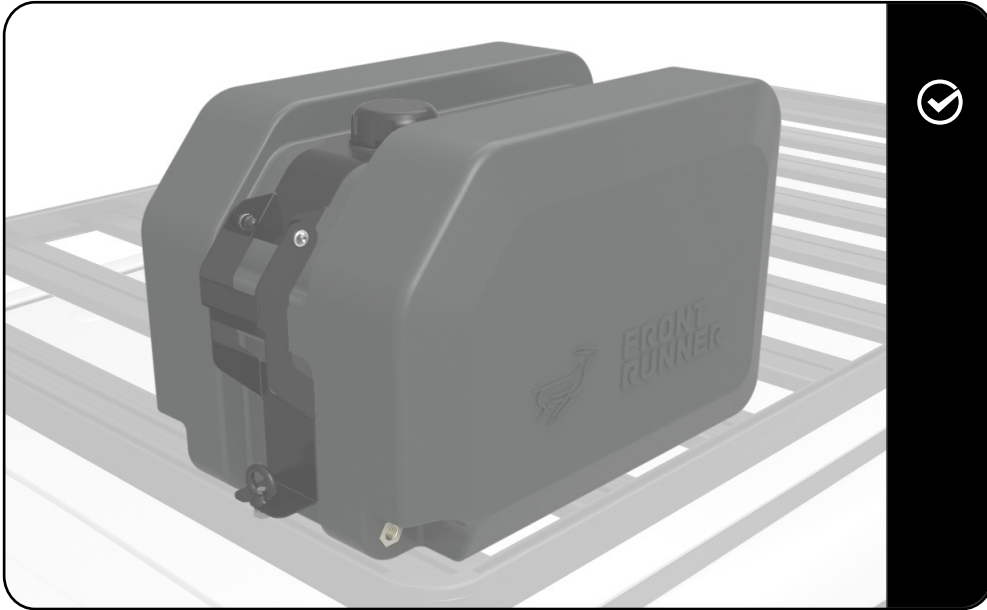


You will need to squeeze the "Y-Spring" on the end of the Plastic Cap's retaining wire to release the Plastic Cap from the Tank.

3

## COMPLETION

3.1



**Congratulations! You did it. Take a step back and admire your work!**

4

**Front Runner will not be responsible for any damage caused by the failure to install the product according to these instructions. Please call us if you have any questions about the installation of this product.**

5

## INSTALL OTHER VEHICLE AND RACK ACCESSORIES

**Now's the time to visit your favorite Front Runner Dealer in person or Online.**