



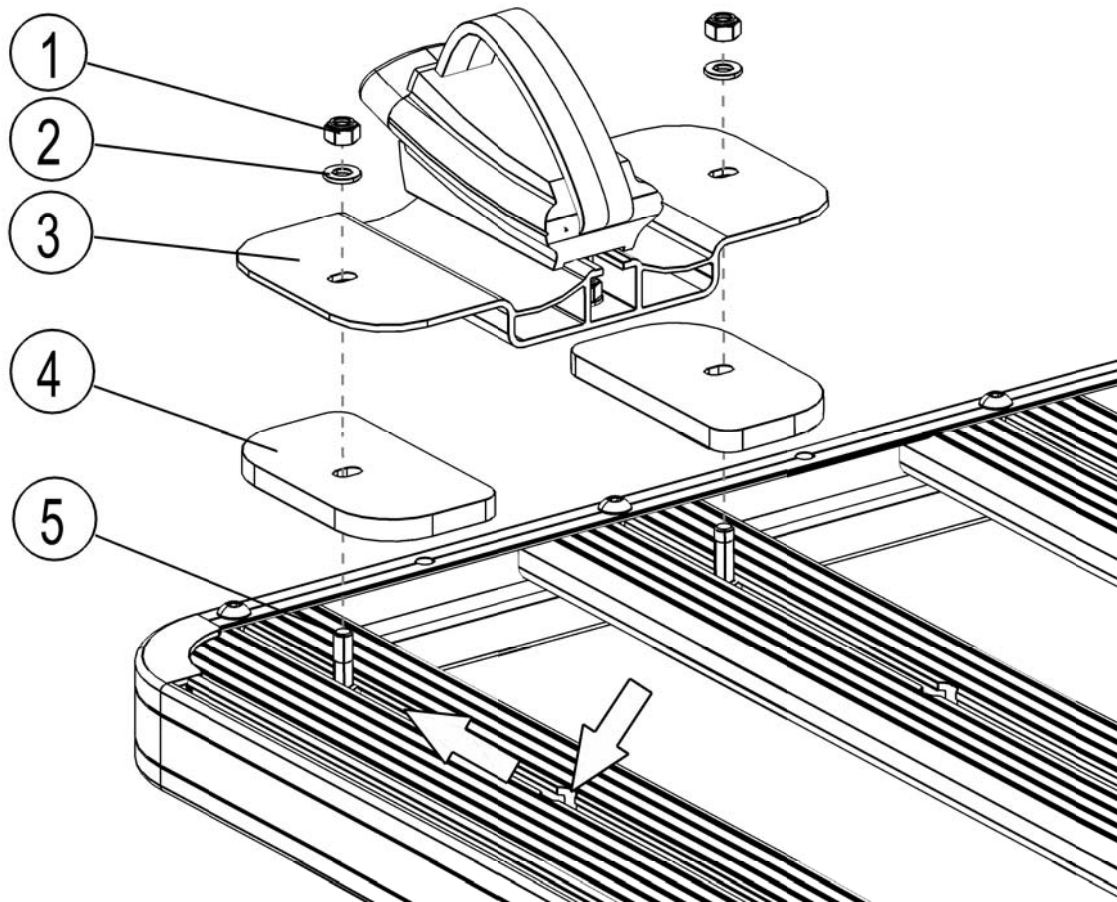
INSTALL TIME: 15 Mins

1 MOUNTING A STRAP-ON FOOT WITH SPACER

Item #	Quantity	Description
1	2	M8 NYLOC NUT
2	2	M8 FLAT WASHER
3	1	STRAP-ON FOOT WITH ADAPTER PLATE
4	2	PLASTIC SPACER
5	2	M8x25 HEX BOLT

You will need:

- a 13 mm Flat Wrench



- (A) Insert a M8 x 25 Hex Bolt (Item 5) into each of the required slots using the Machined Slot as indicated by the arrow.

Place a Plastic Spacer (Item 4) over each Hex Bolt followed by the Strap-on Foot with Adapter Plate (Item 3) and loosely fasten using the M8 Flat Washers and Nyloc Nuts (Items 1&2). The assembly should still be able to slide if pushed.