

**READ ME !** ⚠

Thank you for purchasing a Front Runner Between Slat Foot Adaptor.

Before you start, take a moment to familiarize yourself with the Fitting Instructions and the components received.

Refer to Page 2 for a list of all the components, quantities and tools required.

**IMPORTANT WARNING!** ⚠

FRONT RUNNER CAN NOT RECOMMEND A MAXIMUM LOAD CARRYING CAPACITY. PLEASE REFER TO YOUR VEHICLE MANUFACTURER'S RECOMMENDATIONS. IT IS CRITICAL THAT ALL FRONT RUNNER PRODUCTS BE PROPERLY AND SECURELY ASSEMBLED AND ATTACHED TO YOUR VEHICLE. IMPROPER ATTACHMENT COULD RESULT IN AN AUTOMOBILE ACCIDENT, AND COULD CAUSE SERIOUS BODILY INJURY OR DEATH. YOU ARE RESPONSIBLE FOR ASSEMBLING AND SECURING ALL FRONT RUNNER PRODUCTS TO YOUR VEHICLE. CHECKING THE ATTACHMENTS PRIOR TO USE, AND PERIODICALLY INSPECTING THE PRODUCTS FOR ADJUSTMENT, WEAR AND DAMAGE. THEREFORE YOU MUST READ AND UNDERSTAND ALL OF THE INSTRUCTIONS AND PRECAUTIONS SUPPLIED WITH YOUR FRONT RUNNER PRODUCT PRIOR TO INSTALLATION OR USE. IF YOU DO NOT UNDERSTAND ALL OF THE INSTRUCTIONS AND CAUTIONS, OR IF YOU HAVE NO MECHANICAL EXPERIENCE AND ARE NOT THOROUGHLY FAMILIAR WITH THE INSTALLATION PROCEDURES, YOU SHOULD HAVE THE PRODUCT INSTALLED BY A PROFESSIONAL INSTALLER OR OTHER QUALIFIED PERSONNEL.

# 1

## GET ORGANIZED

### IN THE BOX

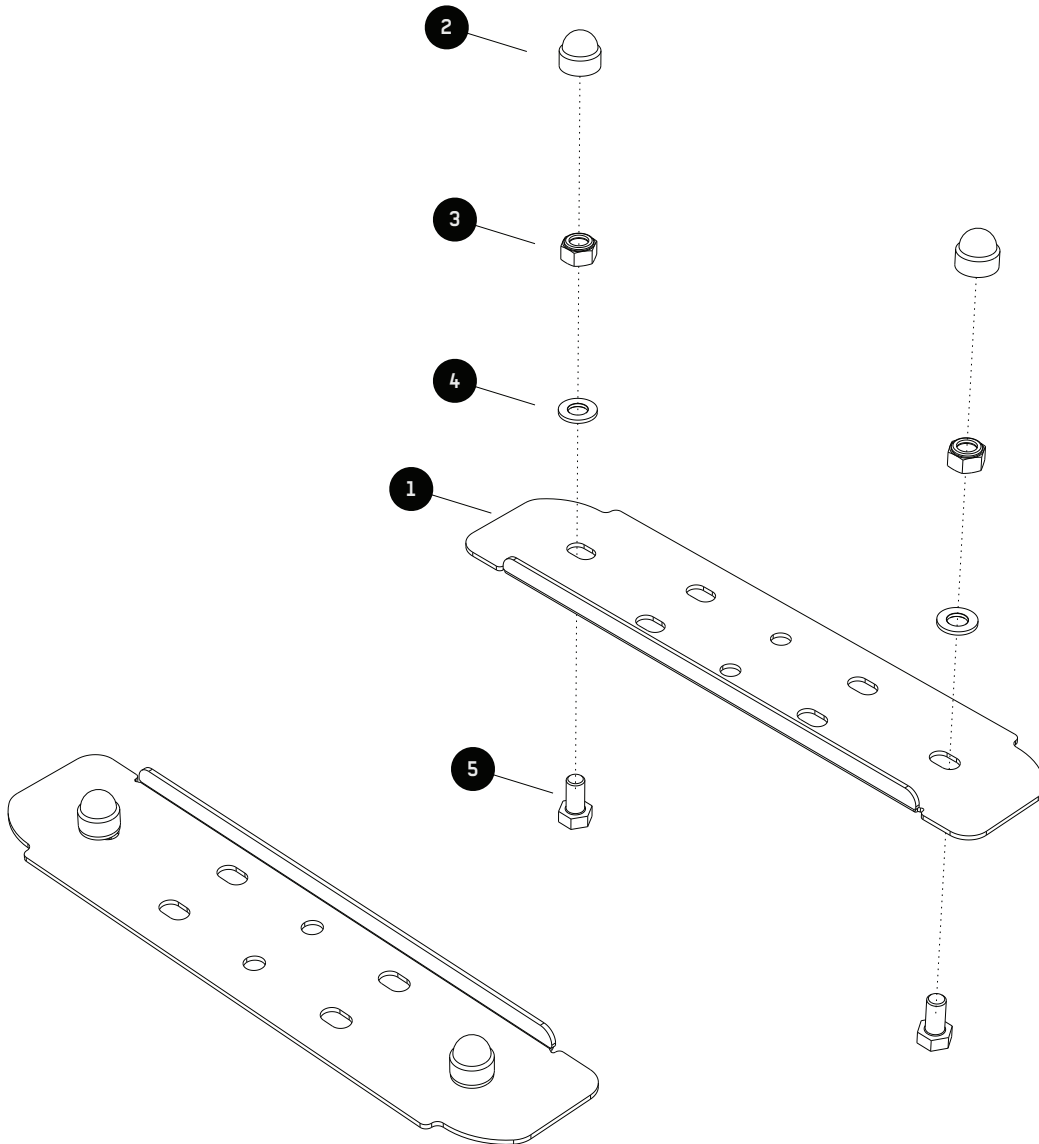
1	2 X	Foot Adaptor
2	4 X	M8 Nut Cap
3	4 X	M8 Nyloc Nut
4	4 X	M8 x 16 x 1.6SS Flat Washer
5	4 X	M8 x 16 Hex Bolt

### TOOLS NEEDED



Certain vehicles may require the Between Slat Foot Adaptor to properly position the feet. In cases where the existing Slat position is not ideal for the mounting of feet, a Between Foot Slat Adaptor should be used.

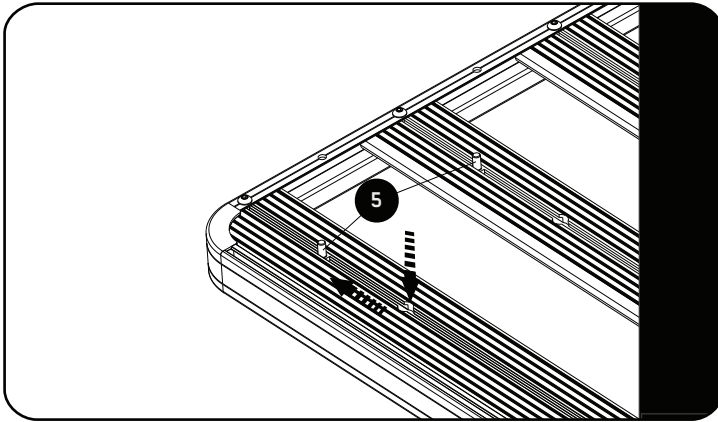
FIGURE 1.1



## 2

## FIT AND SECURE

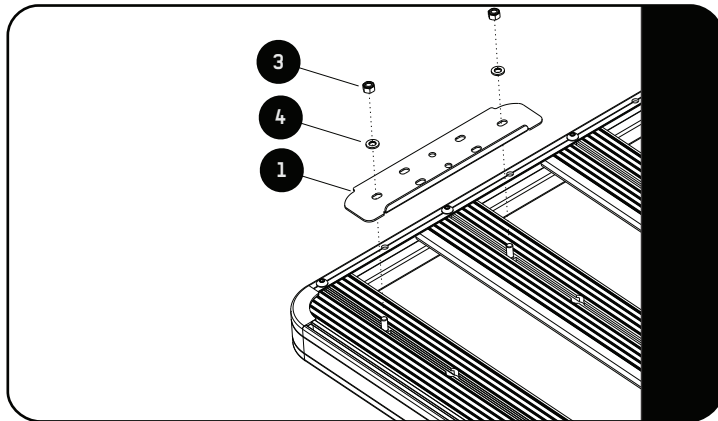
2.1



Slide two M8 x 16 Hex Bolts into the chosen slats.

Repeat this on the opposite side of the Rack.

2.2

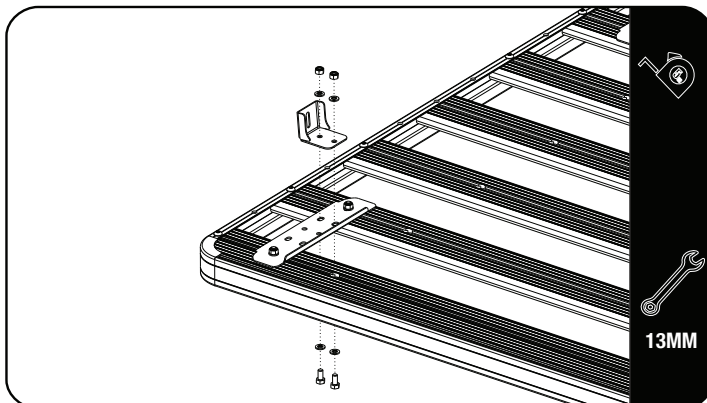


Loosely fit the Between Slat Foot Adaptors (Item 1) using M8 x 16 x 1.6SS Flat Washers and M8 Nyloc Nuts (Items 3 & 4).

## 3

## COMPLETION

3.1

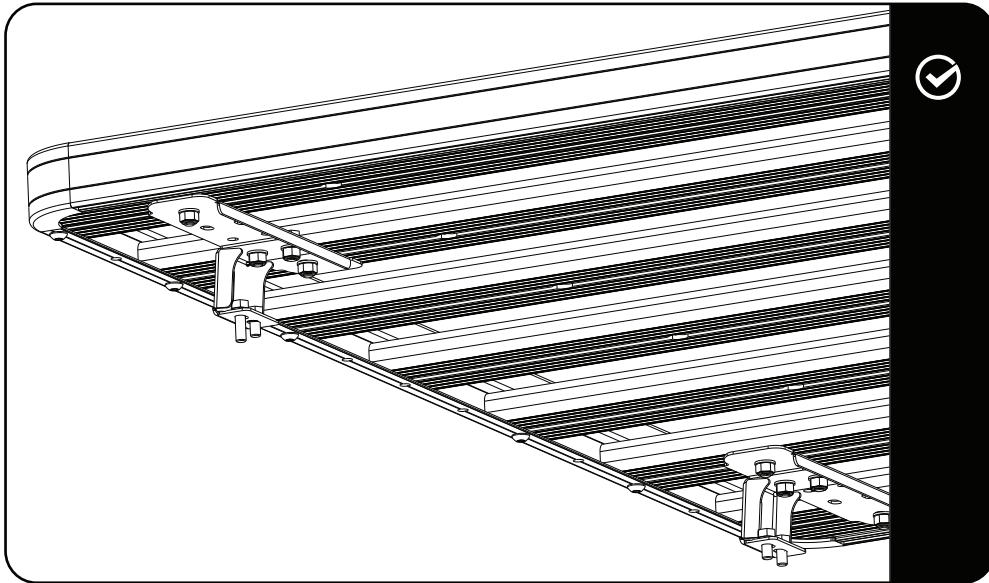


Only fully tighten the the fasteners after you have fitted your Front Runner Feet (Sold Separately ) and centered the Rack on your vehicle.

After fully tightening place M8 Nut Caps (Item 2) over all the fasteners.

### 3 COMPLETION

3.2



**Congratulations! You did it. Take a step back and admire your work!**

4

**Front Runner will not be responsible for any damage caused by the failure to install the product according to these instructions. Please call us if you have any questions about the installation of this product.**

5

### **INSTALL OTHER VEHICLE AND RACK ACCESSORIES**

**Now's the time to visit your favorite Front Runner Dealer in person or Online.**

**Be sure to tag us. We love to see our gear in action! #FrontRunnerOutfitters #BornToRoam**

**Share your adventures on:** 