



INSTALL TIME: 15 Mins

1 MOUNT STRAP-ON FOOT TO ADAPTER PLATE

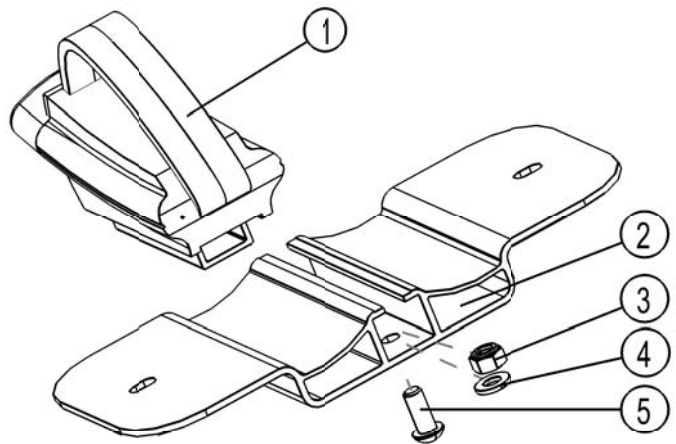
Item #	Quantity	Description
1	4	STRAP-ON FOOT
2	4	ADAPTER PLATE
3	4	M8 NYLOC NUT
4	4	M8 FLAT WASHER
5	4	M8 x 16 BUTTON HEAD BOLT

You will need:

- a 13 mm Flat Wrench
- a 5 mm Hex Key

(A) Insert and fasten the M8 x16 Button Head Bolts (Item 5) to the Adapter Plates (Item 2) using the M8 Nyloc Nuts and Flat Washers (Items 3 & 4).

Slide the Strap-on Feet (Item 1) onto the Adapter Plates from the opposite end to the Nut, Bolt and Washer.



2 MOUNT STRAP-ON FOOT AND PLATE TO RACK

Item #	Quantity	Description
1	8	M8 NYLOC NUT
2	8	M8 FLAT WASHER
3	4	STRAP-ON FOOT WITH ADAPTER PLATE
4	8	M8x16 HEX BOLT

You will need:

- a 13 mm Flat Wrench

(A) Insert a M8 x16 Hex Bolt (Item 4) into each of the required slats using the Machined Slot as indicated by the arrow.

Place the Strap-on Foot with Adapter Plate (Item 3) over the Hex Bolts and loosely fasten using the M8 Flat Washers and Nyloc Nuts (Items 1&2). The assembly should still be able to slide if pushed.

