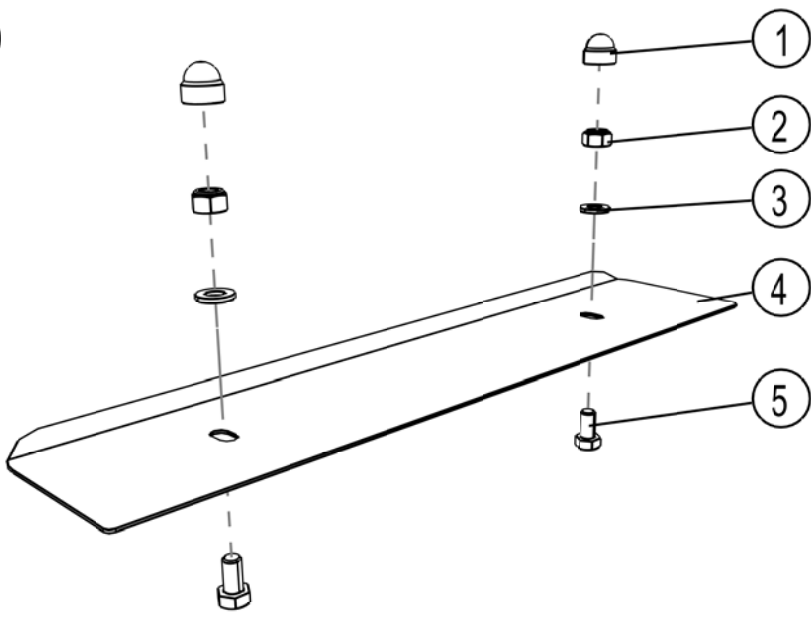




1

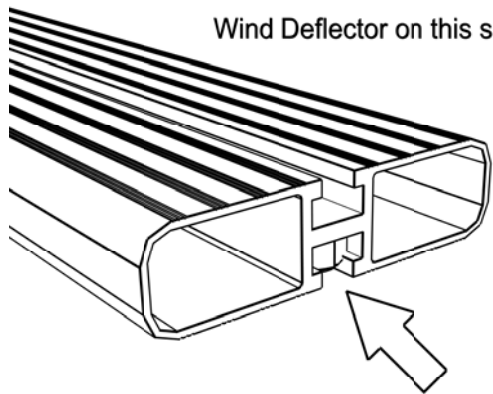


You will need:

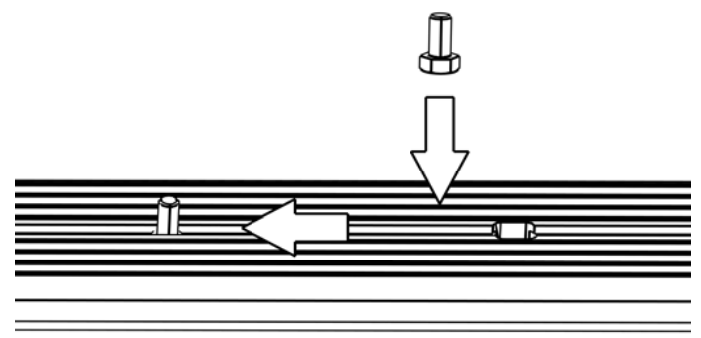
- 13 mm Flat or Socket Wrench
- Measuring Tape

Item #	Quantity	Description
1	2	M8 NUT CAP
2	2	M8 NYLOC NUT
3	2	M8 FLAT WASHER
4	1	WIND DEFLECTOR
5	2	M8x16 HEX BOLT

2



Wind Deflector on this side



Ensure pre installed Nyloc Hex Nuts face downwards during Wind Deflector Fitment

