



START HERE!

READ ME FIRST

Don't be a hero and muscle through this without first reading these fitting instructions! Improper installation of this gear may void certain aspects of your warranty.

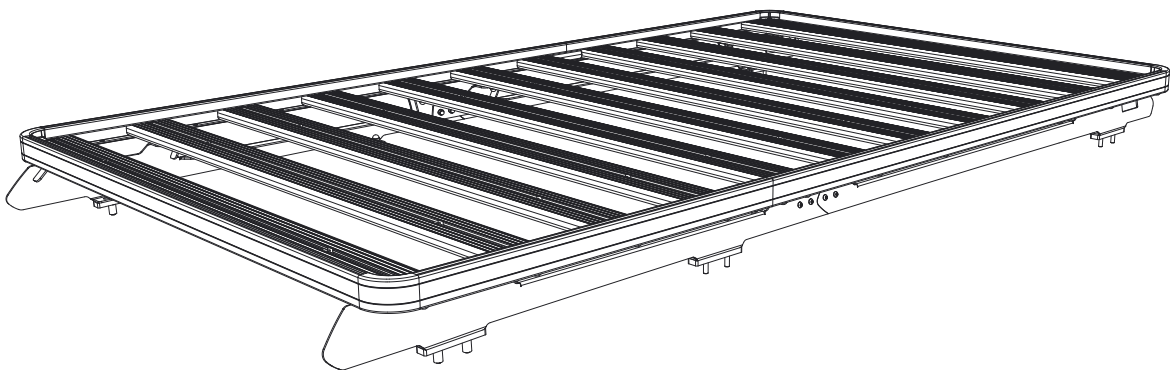
Before you begin, take a moment and open all your Front Runner rack kit boxes and gather the assembly instructions for the various components.

A complete kit will contain:

1. A Front Runner Mounting System specific to your vehicle
2. A Front Runner Rack Tray or Load Bar Slats

This document will guide you through the assembly of the mounting system and assist you in fitting the roof rack tray or load bars to your specific vehicle.

Please refer to the next page for a list of all the components, quantities and tools required.



IMPORTANT WARNING!

IT IS CRITICAL THAT ALL FRONT RUNNER PRODUCTS BE PROPERLY AND SECURELY ASSEMBLED AND ATTACHED TO YOUR VEHICLE. IMPROPER ATTACHMENT COULD RESULT IN AN AUTOMOBILE ACCIDENT, AND COULD CAUSE SERIOUS BODILY INJURY OR DEATH. YOU ARE RESPONSIBLE FOR ASSEMBLING AND SECURING ALL FRONT RUNNER PRODUCTS TO YOUR VEHICLE. CHECKING THE ATTACHMENTS PRIOR TO USE, AND PERIODICALLY INSPECTING THE PRODUCTS FOR ADJUSTMENT, WEAR AND DAMAGE. THEREFORE YOU MUST READ AND UNDERSTAND ALL OF THE INSTRUCTIONS AND PRECAUTIONS SUPPLIED WITH YOUR FRONT RUNNER PRODUCT PRIOR TO INSTALLATION OR USE. IF YOU DO NOT UNDERSTAND ALL OF THE INSTRUCTIONS AND CAUTIONS, OR IF YOU HAVE NO MECHANICAL EXPERIENCE AND ARE NOT THOROUGHLY FAMILIAR WITH THE INSTALLATION PROCEDURES, YOU SHOULD HAVE THE PRODUCT INSTALLED BY A PROFESSIONAL INSTALLER OR OTHER QUALIFIED PERSONNEL.

1

GET ORGANIZED

Here is what you are looking at for FATF006

IN THE BOX

| | | |
|----|------|-----------------------------|
| 1 | 2 X | Front Foot Rail; 1xLH, 1xRH |
| 2 | 2 X | Rear Foot Rail; 1xLH, 1xRH |
| 3 | 24 X | Nut Cap M8 |
| 4 | 12 X | Hex Bolt M8x40 |
| 5 | 12 X | Spring Washer M8 |
| 6 | 24 X | Flat Washer M8x16x1.6ss |
| 7 | 12 X | Hex Bolt M8x20 |
| 8 | 12 X | Nyloc Nut M8 |
| 9 | 4 X | Rivnut M8 |
| 10 | 6 X | Spacer |
| 11 | 8 X | Button Head M6x16 |
| 12 | 2 X | Joiner Plate |
| 13 | 8 X | Flat Washer M6x12x1ss |
| 14 | 8 X | Nyloc Nut M6 |
| 15 | 8 X | Nut Cap M6 |

TOOLS NEEDED

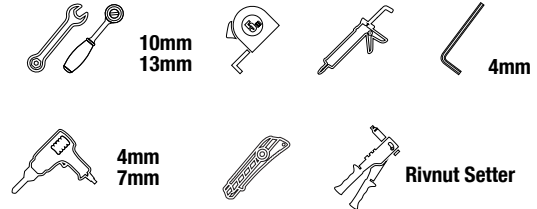
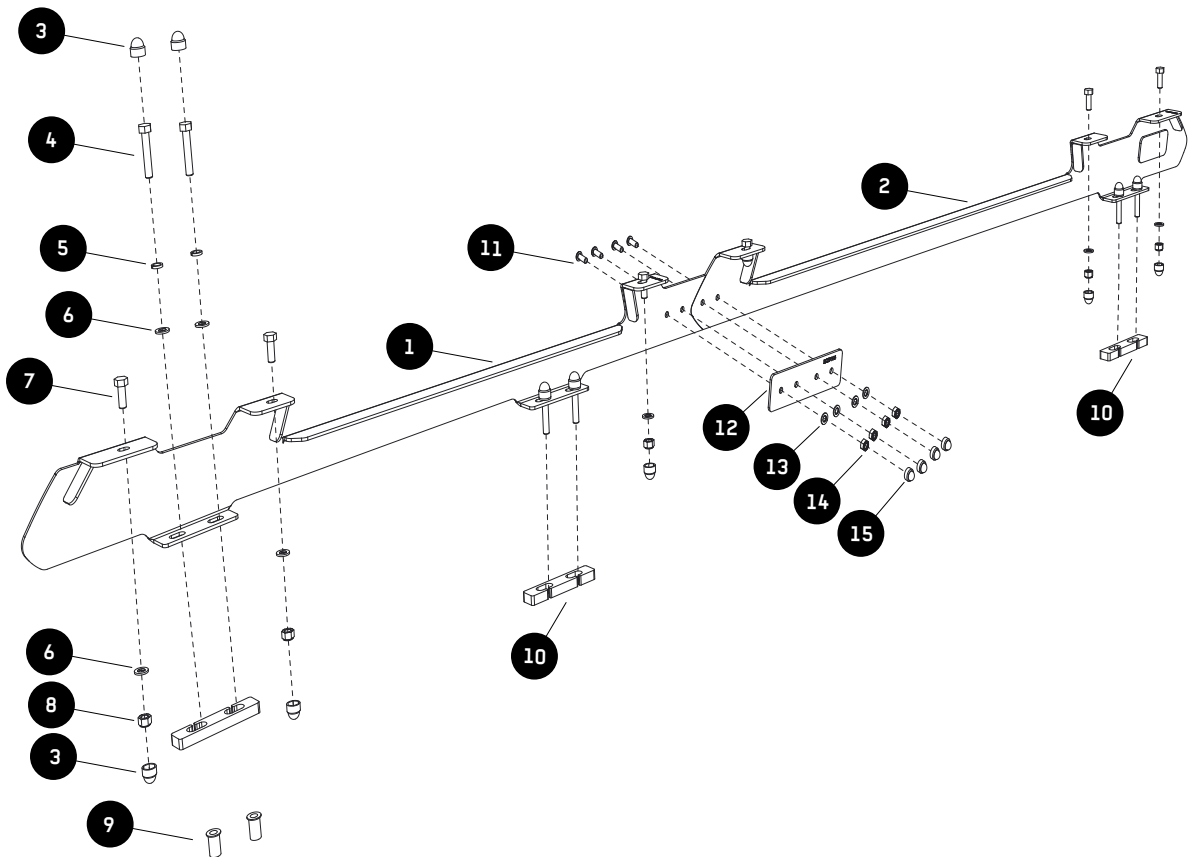
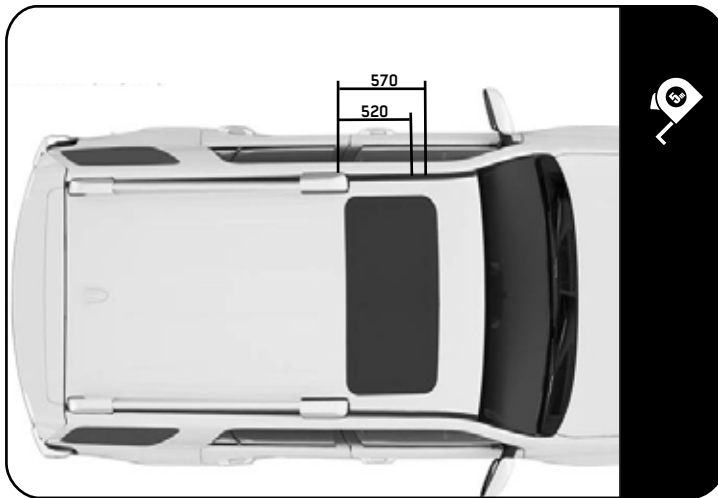


FIGURE 1.1



2**FIT AND SECURE**

2.1



With the factory rails removed, use the center of the existing front hole of the roof rail, mark out the dimension as shown on the ditch molding. Do this on the left and right side.

Place the assembled foot rail over the existing holes and markings to check.

2.2



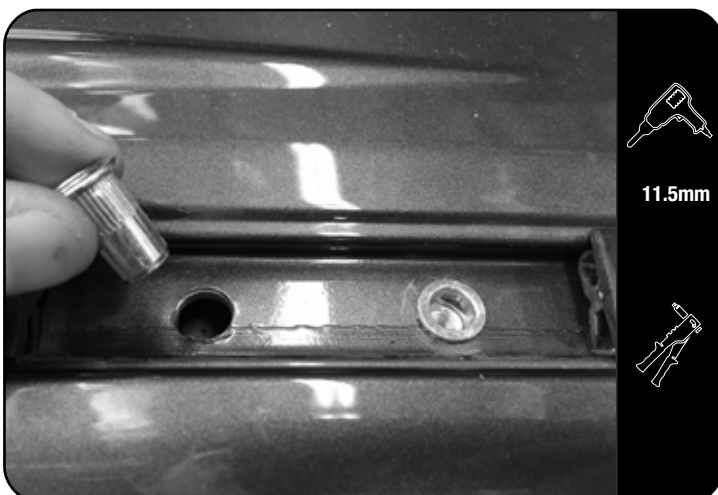
Place the spacer (item 10) over the marks you have made. Mark the outsides of the spacer.

Drill 5mm pilot holes through the ditch molding and the vehicles roof to mark.

Make sure not to drill to deep otherwise you will damage the inside lining of the roof.

Now cut the ditch molding on the marks you have made so that the spacer can fit in the ditch.

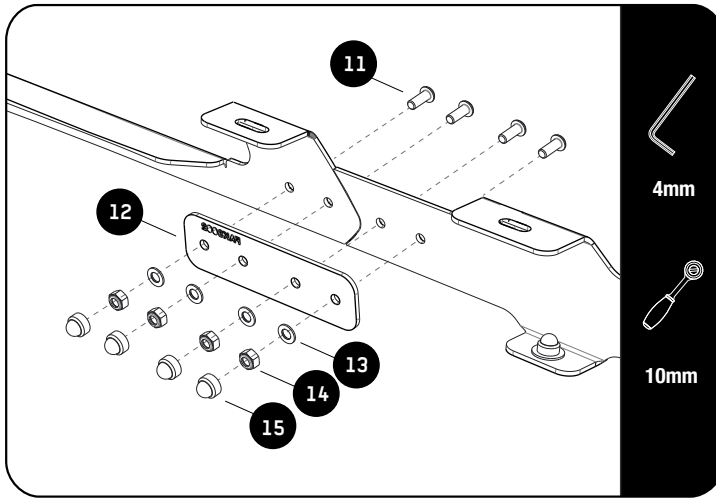
2.3




Drill the pilot holes to 11.5mm and secure two rivnuts (item 9) in the holes by using a rivnut setter.

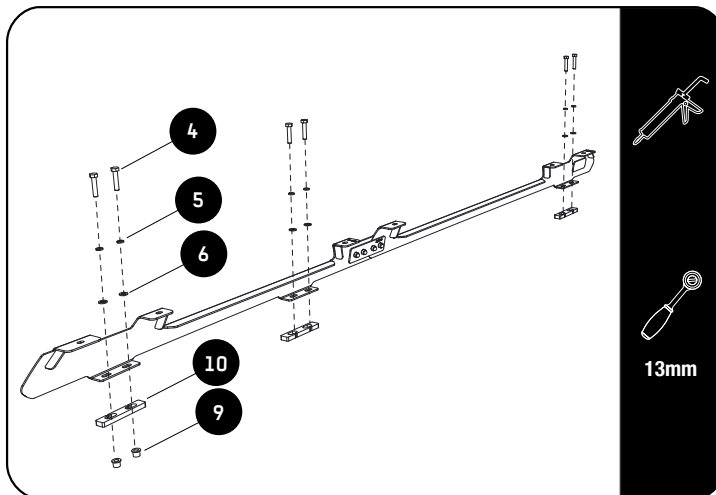
FIT AND SECURE


2.4



 Assemble the front and rear foot rail (items 1 and 2) with the joiner plate (item 12) with the fasteners shown.

2.5



 Place a bead of sealant in and over each hole in the roof, then place a spacer (item 10) over each hole. Place the foot rail that you assembled in step 2.4 on the spacers and loosely fit it with the fasteners shown.

3

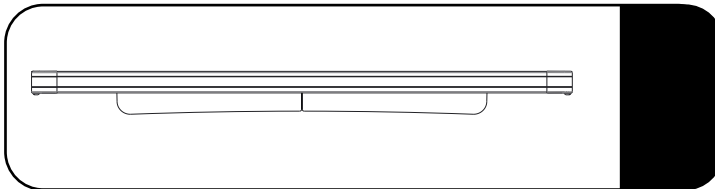
FIT AND SECURE

3.1

Refer to RRSUNI when assembling your Slimline II Tray.

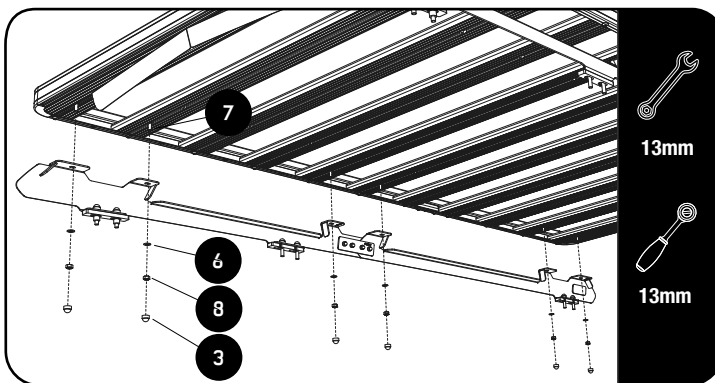


3.2



Make sure that the wind deflector is installed before you proceed to the next step.

3.3



Slide item 7 into the t-slots shown in step 3.3. Loosely fit the roof rack to the foot rails by using items 6,7 and 8.

3.4

Centre the rack and fully tighten all the fasteners. Use M8 nut caps (Items 3) to finish off the nuts.

4

COMPLETION

4.1



Congratulations. You did it. Take a step back and admire your work!

5

INSTALL OTHER VEHICLE AND RACK ACCESSORIES

Now's the time to visit your favorite Front Runner Dealer in person or online.