

Kit Includes: 18" LED Light Bar, Mounting Hardware, Deutsch DT Connector



Features

- Advanced TIR (total internal reflection) optics
- High intensity 6000K Lumileds LEDs
- Slim design, for easy mounting
- Durable aluminum extrusion
- Pressure equalizing vent to eliminate condensation

Specifications

- Input Voltage: 9-24VDC
- Input Power: 79.8 watts
- Current Draw: 5.7 amps @ 14V
- Operating Temperature: -40° to 185°F
- Weight: 3.2 lbs

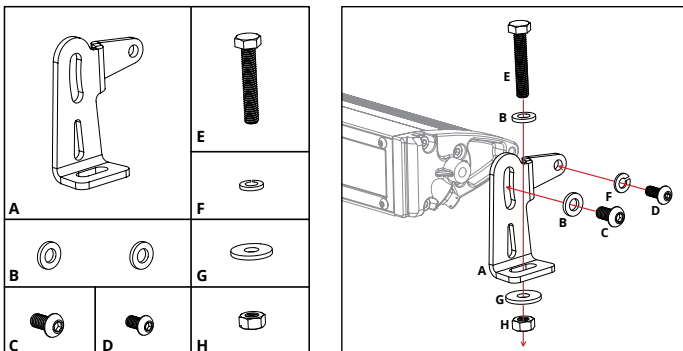
Wiring

Connect the red wire to positive supply, and black wire to negative or common ground.

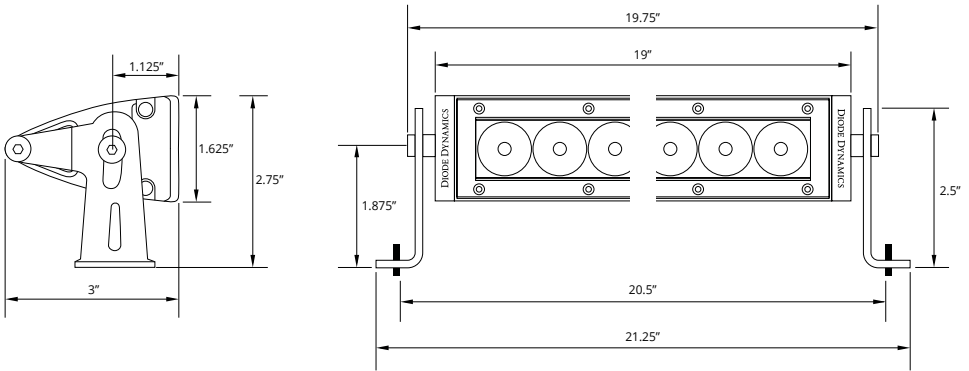
Please note: This auxiliary lamp draws high current, and requires adequately-sized wiring for safe operation. If you are not using a Diode Dynamics wire harness, use wire sized 16 AWG or larger. If you are using a Diode Dynamics wire harness on a 24V system, you will need to replace the relay with a 24V relay. Please be mindful of current ratings and wire size, especially if splitting power signals to multiple light bars, or using switches. If you have any questions, please feel free to contact us for assistance.

Mounting

If you wish, you may use the included hardware to mount your light bar. A number of fasteners are included, and can be used as you see fit. The most common mounting style is shown below. Stage Series Light Bars are also compatible with most standard mounting brackets on the market. Reference the dimensions on opposite side to determine the best mounting solution for your application.

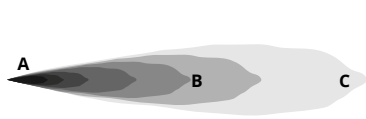


Dimensions



Output

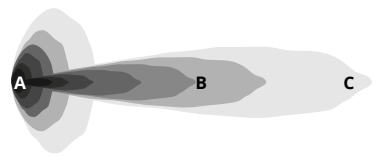
Driving



Flood



Combo



- A - lux at 10 meters
- B - Distance (m) with 1 lux
- C - Distance (m) with .25 lux

SS ₁₈ 18" Light Bar		A	B	C		
Lens Color/Optics	cd*	Illuminance (lx)	Distance (m)		Measured Output	Output Color
White Driving	165,000	1,650	406	810	4,200 lumens	6000K White
White Flood	6,000	60	77	150	4,200 lumens	6000K White
White Combo	99,500	1,120	315	630	4,200 lumens	6000K White
Amber Driving	99,000	990	315	630	2,400 lumens	2000K Amber
Amber Flood	3,600	36	60	120	2,400 lumens	2000K Amber
Amber Combo	47,800	672	219	440	2,400 lumens	2000K Amber

* PEAK BEAM INTENSITY

Please contact **Diode Dynamics** should you have any questions about the installation or wiring process, at **314-205-3033** (10a-5p CST) or **contact@diodedynamics.com**.

This installation guide is for the following SKU:

- DD5016 SS18 White Driving Light Bar
- DD5030 SS18 White Combo Light Bar
- DD6034 SS18 White Flood Light Bar

- DD5038 SS18 Amber Driving Light Bar
- DD5052 SS18 Amber Combo Light Bar
- DD6042 SS18 Amber Flood Light Bar