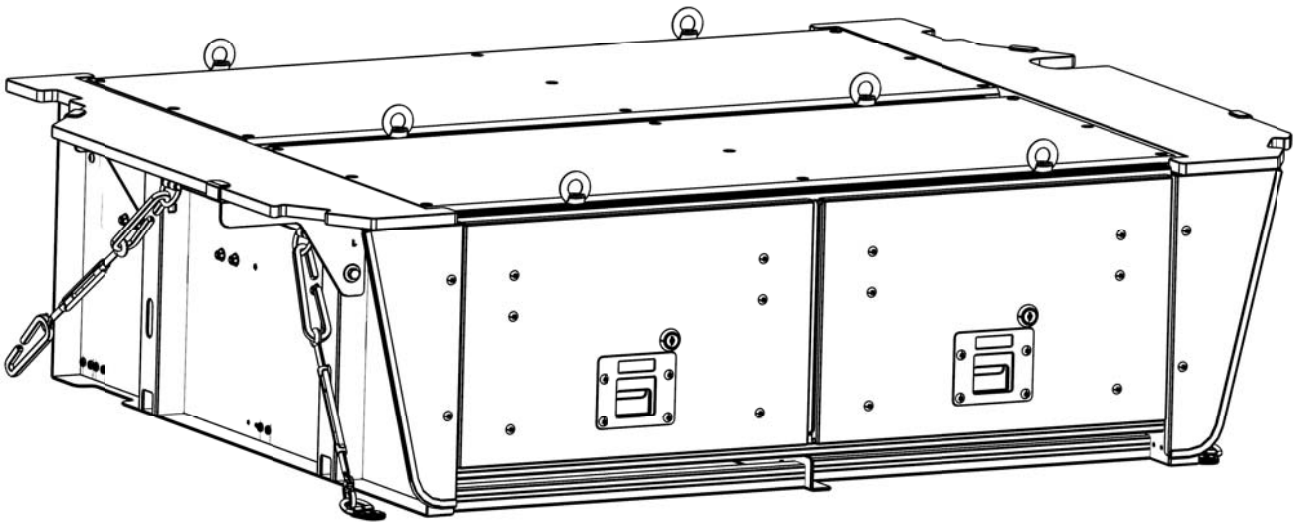


**INSTALL TIME: 45 mins**

Thank you for purchasing a Front Runner Storage System.

This Storage System is made up of the following components:

1. A Drawer System - SSSDR005
2. A Vehicle Specific Deck Set and Mounting Plate - SSSDS801

Before you start, take a moment to familiarize yourself with these Fitting Instructions and all the components received. Depending on the vehicle not all components received will be used. Refer to Page 2 for a list of all the components and quantities if required.

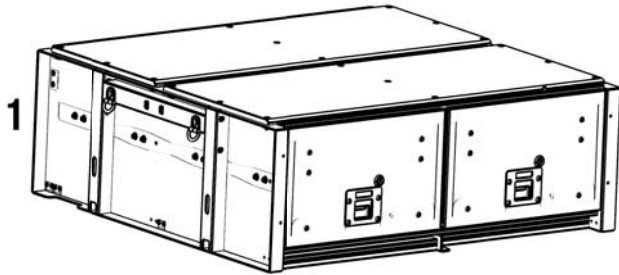
### IMPORTANT WARNING!

IT IS CRITICAL THAT ALL FRONT RUNNER PRODUCTS BE PROPERLY AND SECURELY ASSEMBLED AND ATTACHED TO YOUR VEHICLE. IMPROPER ATTACHMENT COULD RESULT IN AN AUTOMOBILE ACCIDENT, AND COULD CAUSE SERIOUS BODILY INJURY OR DEATH TO YOU OR TO OTHERS. YOU ARE RESPONSIBLE FOR ASSEMBLING AND SECURING ALL FRONT RUNNER PRODUCTS TO YOUR VEHICLE, CHECKING THE ATTACHMENTS PRIOR TO USE, AND PERIODICALLY INSPECTING THE PRODUCTS FOR ADJUSTMENT, WEAR, AND DAMAGE. THEREFORE, YOU MUST READ AND UNDERSTAND ALL OF THE INSTRUCTIONS AND CAUTIONS SUPPLIED WITH YOUR FRONT RUNNER PRODUCT PRIOR TO INSTALLATION OR USE. IF YOU DO NOT UNDERSTAND ALL OF THE INSTRUCTIONS AND CAUTIONS, OR IF YOU HAVE NO MECHANICAL EXPERIENCE AND ARE NOT THOROUGHLY FAMILIAR WITH THE INSTALLATION PROCEDURES, YOU SHOULD HAVE THE PRODUCT INSTALLED BY A PROFESSIONAL INSTALLER OR OTHER QUALIFIED PERSONNEL.

# 1 GET ORGANIZED...

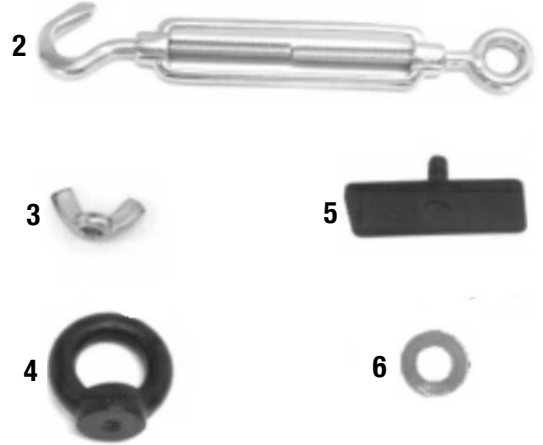
Here is what you are looking at for SSDR0005:

Item #	Quantity	Description
1	1	DRAWER SYSTEM
2	4	TURNBUCKLE
3	4	M6 WING NUT
4	6	M6 EYE NUT
5	6	M6 STUD PLATE
6	6	NYLON WASHER



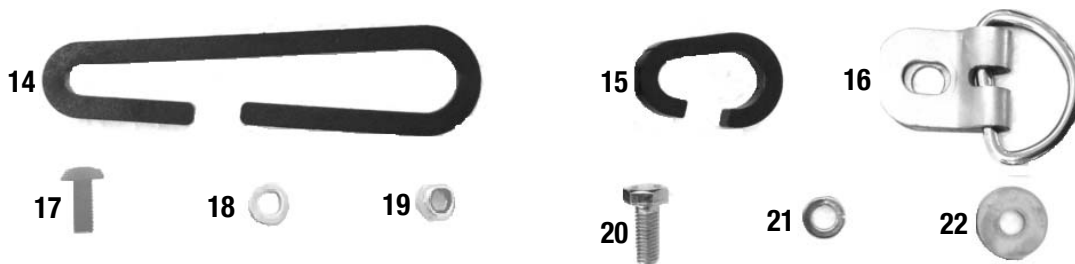
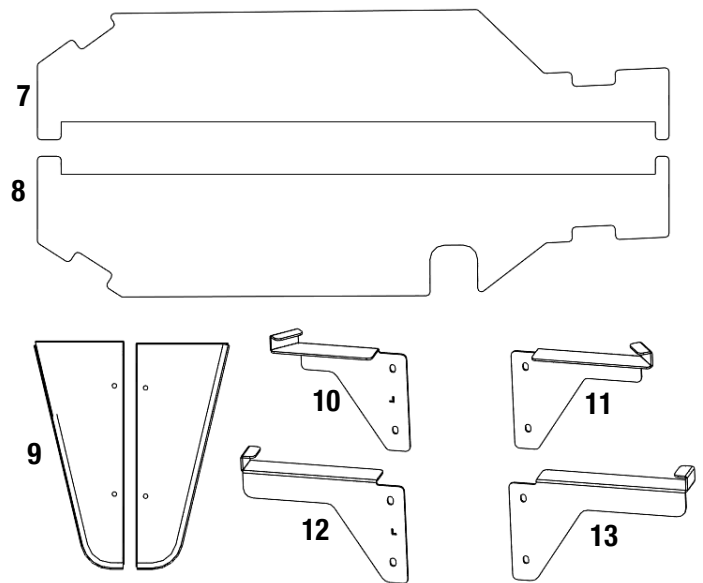
You will need:

- 8 mm & 10 mm Flat or Socket Wrench
- 3 mm & 4 mm Hex Key
- a Friend



Here is what you are looking at for SSDS801:

Item #	Quantity	Description
7	1	LEFT HAND SIDE DECK
8	1	RIGHT HAND SIDE DECK
9	2	FRONT FACE - 1 LEFT, 1 RIGHT
10	1	LEFT REAR WING
11	1	RIGHT REAR WING
12	1	LEFT FRONT WING
13	1	RIGHT FRONT WING
14	6	115 MM C-HOOK
15	2	37 mm C-HOOK
16	2	M8 D-RING
17	4	M5 x 12 BUTTON HEAD BOLT
18	4	M5 FLAT WASHER
19	4	M5 NYLOC NUT
20	8	M6 x 16 HEX BOLT
21	8	M6 SPRING WASHER
22	8	M6 x 19 FLAT WASHER

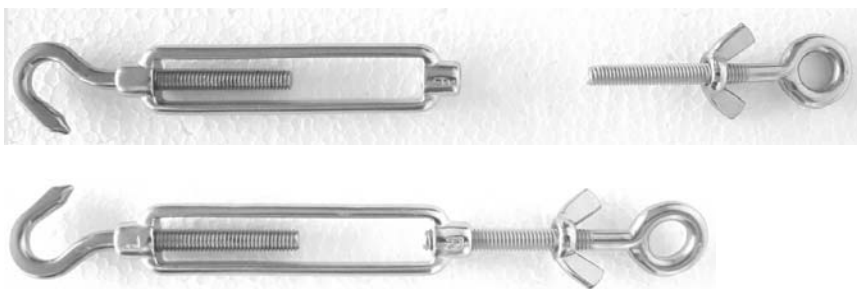


## 2 INSTALL DRAWER SYSTEM

- ( A ) Remove the two tie down rings found at the rear of the vehicle and replace them with the M8 D-rings (Item 16) using the vehicles' original bolts. Ensure the D-rings are turned outwards as shown.



- ( B ) Loosen the round end of the two Turn Buckles (Item 2) supplied with SSDR005 and assemble a M6 Wing Nut (Item 3) as shown. Reassemble the Turn Buckle.



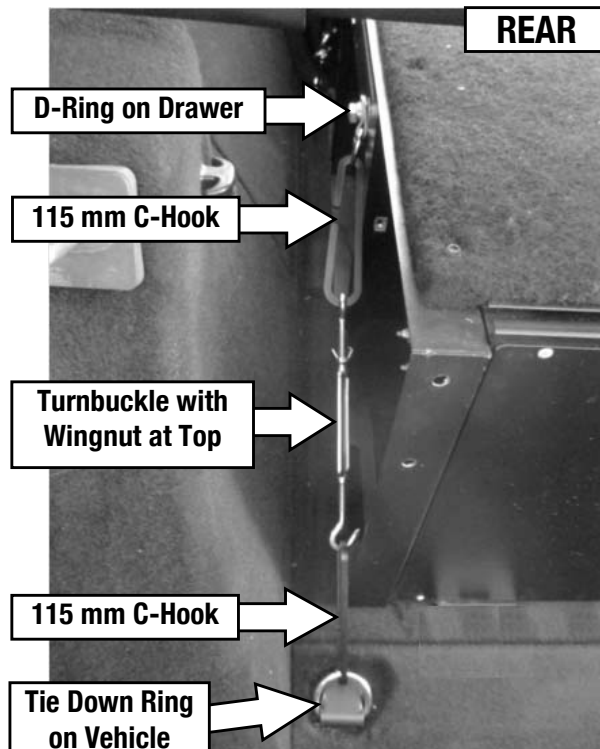
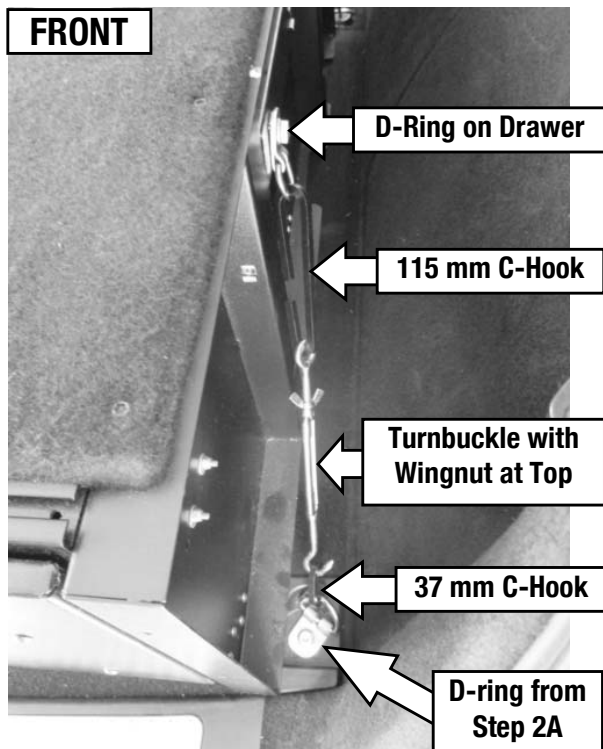
- ( C ) Place the Drawer System (Item 1) into the vehicle taking care not to scratch the interior of the vehicle. Position the Drawer System 5mm in from the edge of the plastic trim at the rear of the vehicle. Center the Drawer System left to right.



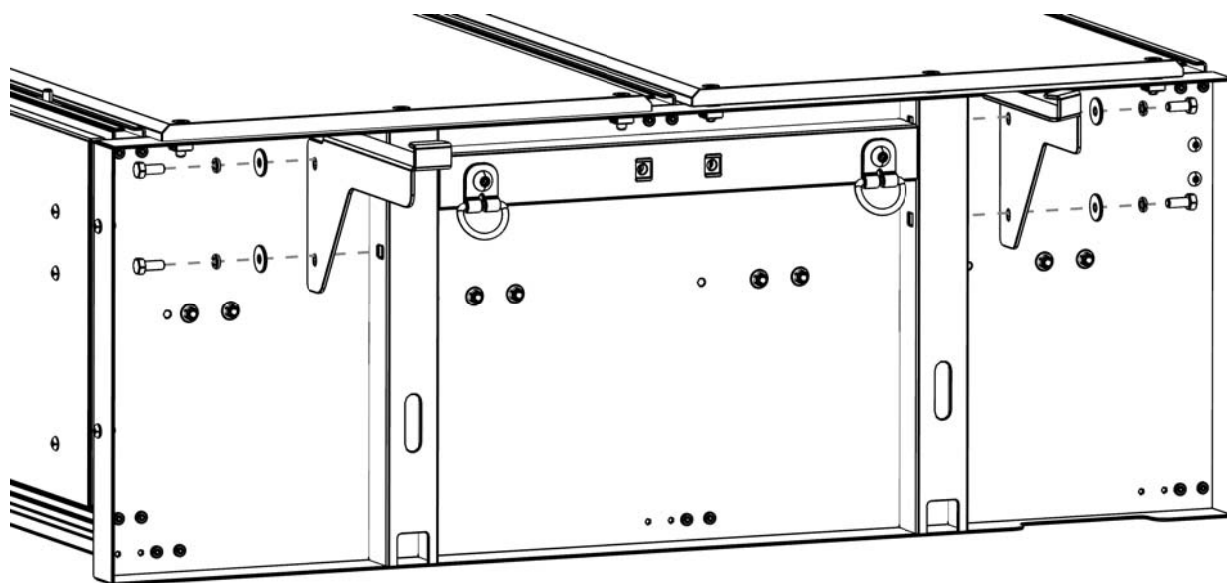
# 2

## INSTALL DRAWER SYSTEM CONT...

- ( D ) Secure the front and rear of the Drawer System to the vehicle using the Turnbuckles and C-Hooks (Items 2, 14, 15) as shown below. Ensure the Drawer System remains in position while tightening the Turnbuckles.



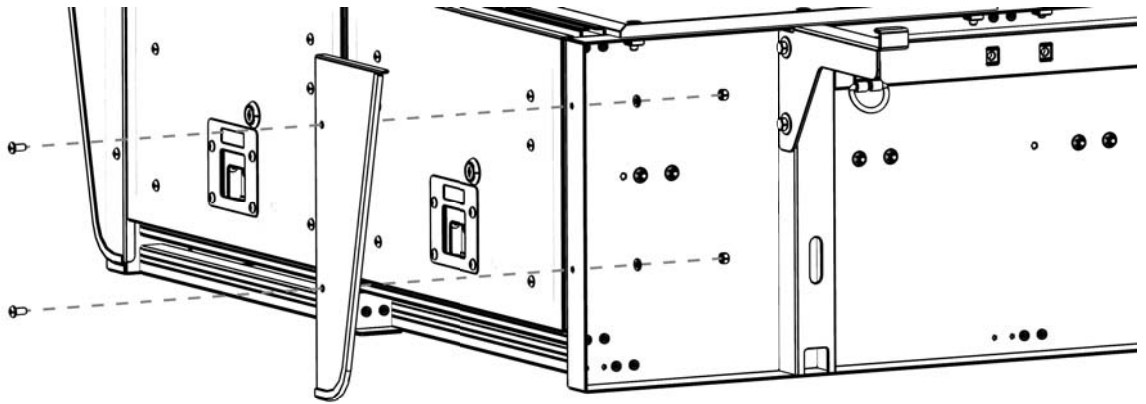
- ( E ) Assemble the front and rear Wings (Items 10, 11, 12, 13) to the Drawer System using four M6 x 16 Hex Bolts, four M6 Spring Washers and four M6 x 19 Flat Washers (Items 20, 21, 22) as shown.



## 2

## INSTALL DRAWER SYSTEM CONT...

- ( G ) Secure the Left and Right Front Faces (Item 9) to the Drawer System using four M5 x 12 Button Head Bolts, four M5 Flat Washers and four M5 Nyloc Nuts (Items 17, 18, 19) as shown.



- ( H ) Fit the Side Decks (Items 7 & 8) to the Drawer System by "clipping " them into the Wings.

- ( I ) Congratulations, you have completed your installation. Take a step back and admire your work. Good Job!

