



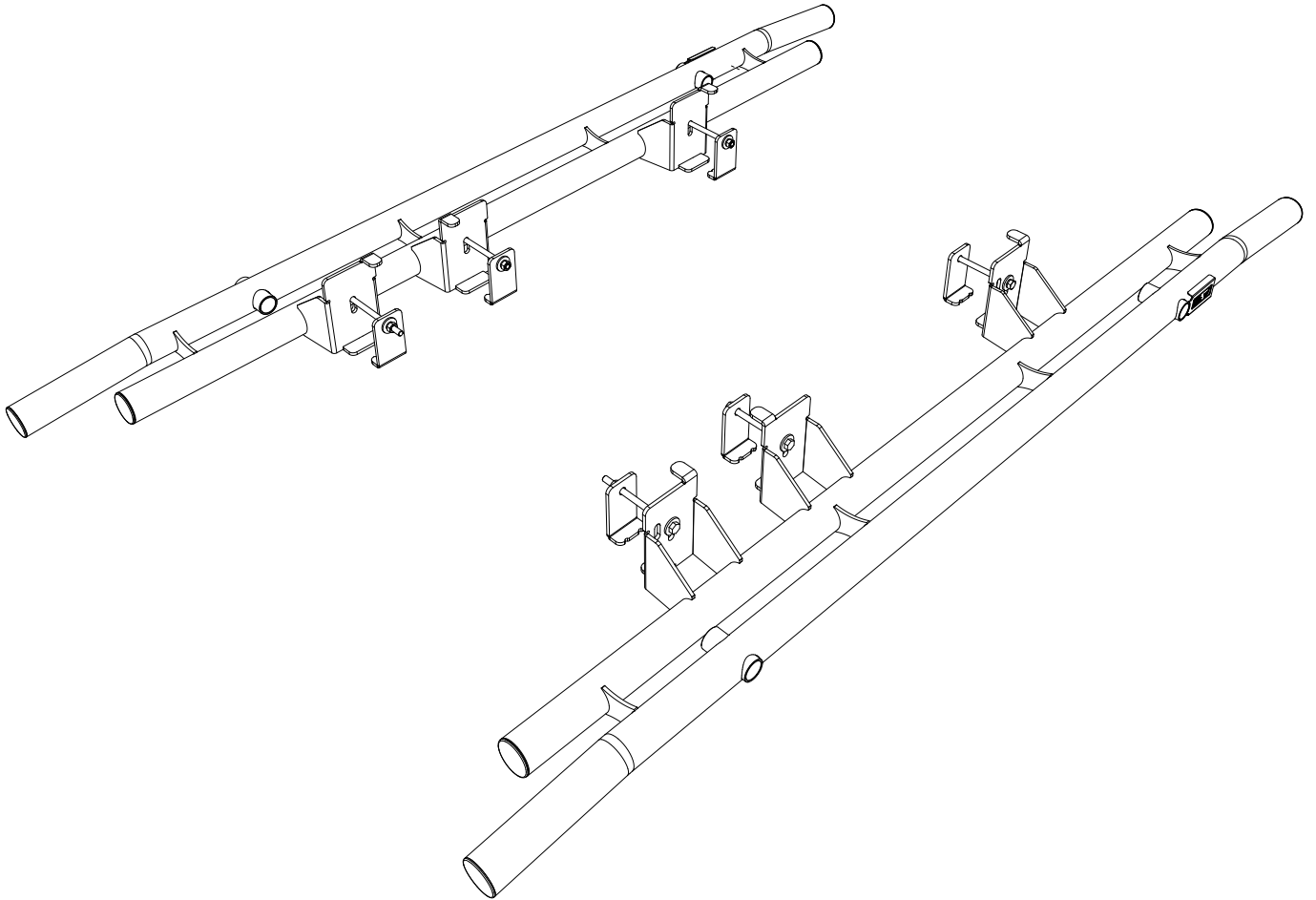
FRONT RUNNER
VEHICLE OUTFITTERS

ROCK SLIDERS

TOYOTA HILUX REVO (2016 - CURRENT)

ENG

BPTH007



READ ME ! ⚠

Thank you for purchasing Front Runner Rock Sliders.

Before you start, take a moment to familiarize yourself with this Fitting Instruction and the components received.

Refer to Page 2 for a list of all the components, quantities and tools required.

IMPORTANT WARNING! ⚠

IT IS CRITICAL THAT ALL FRONT RUNNER PRODUCTS BE PROPERLY AND SECURELY ASSEMBLED AND ATTACHED TO YOUR VEHICLE. IMPROPER ATTACHMENT COULD RESULT IN AN AUTOMOBILE ACCIDENT, AND COULD CAUSE SERIOUS BODILY INJURY OR DEATH. YOU ARE RESPONSIBLE FOR ASSEMBLING AND SECURING ALL FRONT RUNNER PRODUCTS TO YOUR VEHICLE. CHECKING THE ATTACHMENTS PRIOR TO USE, AND PERIODICALLY INSPECTING THE PRODUCTS FOR ADJUSTMENT, WEAR AND DAMAGE. THEREFORE YOU MUST READ AND UNDERSTAND ALL OF THE INSTRUCTIONS AND PRECAUTIONS SUPPLIED WITH YOUR FRONT RUNNER PRODUCT PRIOR TO INSTALLATION OR USE. IF YOU DO NOT UNDERSTAND ALL OF THE INSTRUCTIONS AND CAUTIONS, OR IF YOU HAVE NO MECHANICAL EXPERIENCE AND ARE NOT THOROUGHLY FAMILIAR WITH THE INSTALLATION PROCEDURES, YOU SHOULD HAVE THE PRODUCT INSTALLED BY A PROFESSIONAL INSTALLER OR OTHER QUALIFIED PERSONNEL.

1

GET ORGANIZED

Here is what you are looking at for BPTH007

IN THE BOX

1	1 X	Rock Sliders (1LH & 1RH)
2	3 X	M10x130 Hex Bolt
3	2 X	M10x150 Hex Bolt
4	11 X	M10x30x3 Flat Washer
5	5 X	Bolt Plate (Not Welded)
6	6 X	M10 Spring Washer
7	5 X	M10 Nyloc
8	1 X	Bolt Plate (Welded)
9	1 X	M10x120 Hex Bolt

TOOLS NEEDED

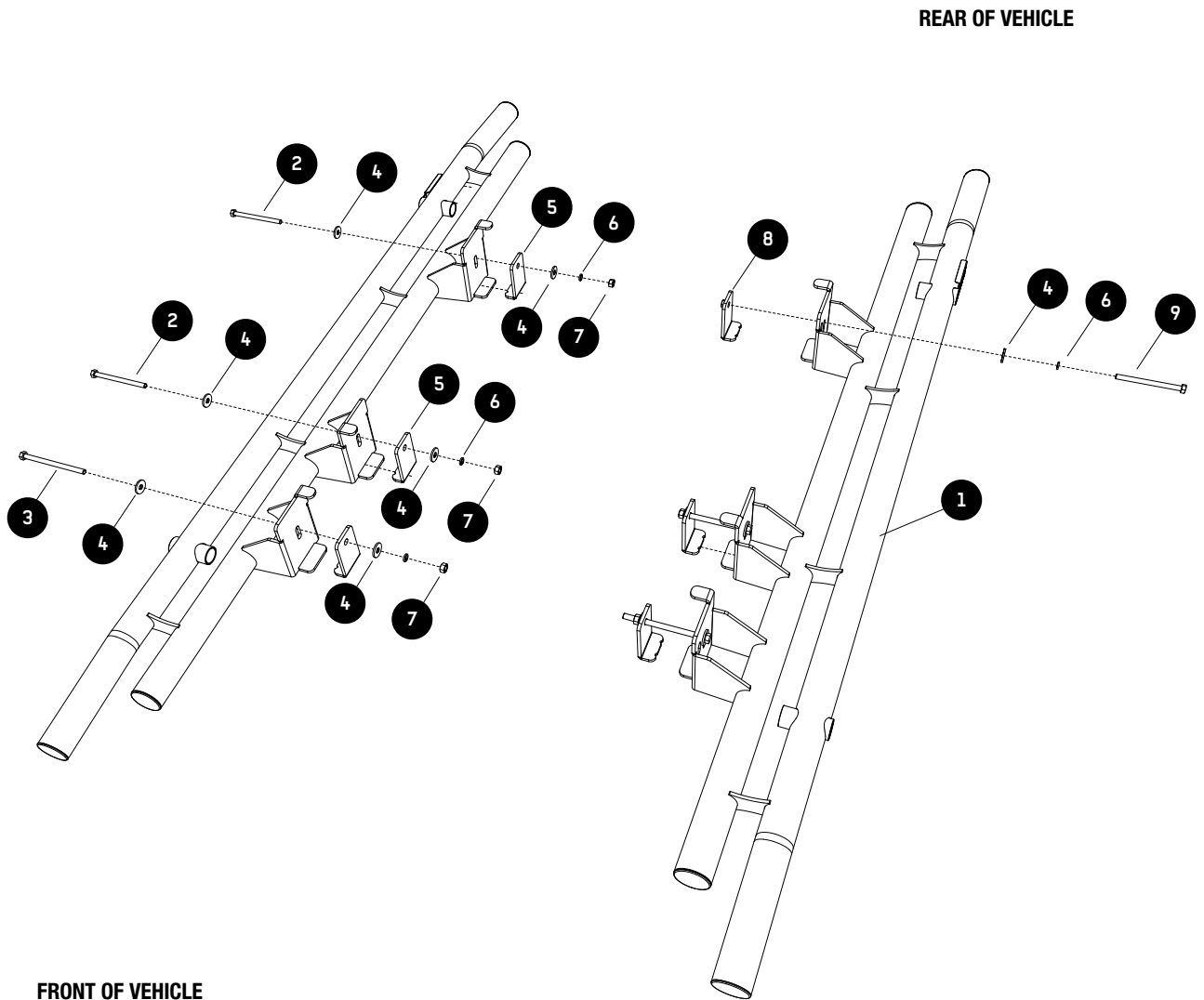


17MM



12MM
17MM

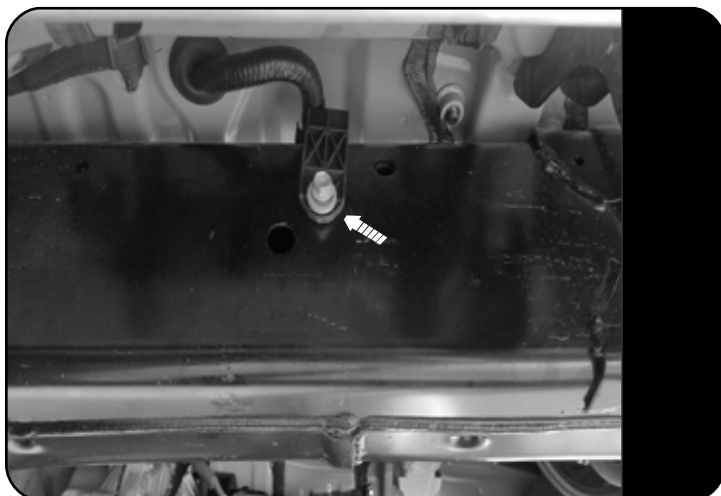
FIGURE 1.1



2

FIT AND SECURE

2.1



 Remove the side steps on both sides of the vehicle.

Loosen the cable bracket before fitting the left rock sliders. Refit the cable bracket after the rock slider has been secured.


2.2




 Lift the rock sliders into position as shown using the vehicles jack.

2.3



 You will secure the rock sliders by bolting through the existing holes in the chassis. See diagram 1.1 for placement of the fasteners.

 For the left hand rock slider you will need to use the welded bolt plate (item 8) to secure the rock slider at the rear mounting point between the chassis and the tank. See diagram 1.1 for placement of the fasteners

3

COMPLETION

3.1



Congratulations. You did it. Take a step back and admire your work!

4

INSTALL OTHER VEHICLE AND RACK ACCESSORIES

Now's the time to visit your favorite Front Runner Dealer in person or online.